

ISD-SC5030S-H2CVL

Single-View and Dual-Energy X-ray Intelligent Security Inspection System

The ISD-SC5030S-H2CVL X-ray intelligent inspection system which combines functions such as intelligent recognition, person and package linkage, AI open platform etc., better solve more problems such as under-detection caused by low security inspector concentration, and excessive stress during peak security check. The product is applicable to application scenarios such as government office, scenic spots, court, procuratorate, prison, embassy, factory, school, hospital, sports, culture events etc. It is applicable for security inspection of satchels, parcels, express wares, hand baggage and small-sized packages.



- **Raytina 2.0 HD Image Algorithm:** Integrated with a new generation of self-developed image enhancement algorithm, significantly improving the X-ray image clarity of the baggage.
- **Material Classification:** Advanced material discrimination technology is used to recognize the equivalent atomic number of the test object and assign different colors (3 or 6 colors).
- **Intelligent Recognition:** Integrated with self-developed IPR deep learning recognition and X-ray imaging algorithm, better improving the recognition.
- **AI Platform:** Allow users themselves to import the new intelligent models for better on-site recognition.
- **120Hz High Refresh Rate Display:** Smooth the picture and eliminate visual fatigue caused by flickering.
- **Variable Speed:** One-click switch the speed according to usage scenario.
- **Networking:** Connect the HCP over network to manage the data for security inspection business.
- **Event Traceback:** Review the video that links with X-ray image to playback the situation at that time.
- **Quick Login:** Supports face, fingerprint and password, user can login in the device by any of three methods.
- **Audible and Visual Indicator:** Clearly warn the operators when the prohibited articles are detected.
- **Data Storage:** Supports storing and reviewing video, images, and alarm information locally of security inspection system.
- **Package-Package Correlation:** Link the X-ray image of the baggage with the picture of the tunnel camera.
- **Video-Package Correlation:** Link the X-ray image of the baggage with the video of the cameras.

▪ Specification

▪ Size	
Tunnel Size	500 mm(W) × 300 mm(H)
Dimension	1483 mm(L) × 730 mm(W) × 1060 mm(H)
▪ Performance	
Line Resolution ^[1]	38 AWG standard, 40 AWG typical
Penetration ^[1] (Steel)	30 mm standard, 32 mm typical
▪ X-ray Generator	
X-ray Generators	1
Anode Voltage / Current	140 kV / 0.8 mA (Adjustable)
Cooling / Working Cycle	Oil-cooling / Continuous
Orientation	Vertically upward
▪ Radiation	
External Dose Rate ^[2]	< 1.0 μSv/h (100mm away from the device surface)
Film Safety	Standard of ASA / ISO1600
▪ Conveyor	
Height	600 mm
Speed	0.2 m/s, 0.3 m/s adjustable
Load	100Kg
▪ Monitoring System	
Sensor Type	1/2.8" Progressive Scan CMOS
Cameras	3-ch
Video Compression Standard	H.265 / H.264 / MJPEG
Max. Image Size	1920 × 1080
Video Storage Capability	More than 30 days
▪ Display	
Screen Size	23.8", Single-screen
Resolution	1920 × 1080 @ 120Hz
▪ Intelligent Functions	
Prohibited Goods	35 categories with 64 types
Login Method	Fingerprint / Password
▪ System Functions	
Standard	Time / Date, baggage counting, user management, log management, X-ray on time, power on self-test, enhanced scanning, system information management, built-in system diagnostics, standby mode, training, HCP, organic materials alarm, non-penetration alarm, explosive detection, etc.
▪ Image Process Functions	
Image Enhancement	Color / Black & White(C/B&W), Organic stripping(ORG-), Inorganic stripping(INORG-), Negative, High / Low penetration(H/L), Absorptivity increase(ABS+), Absorptivity decrease(ABS-), Super Enhancement(SEN), Edge Enhancement(Edge) and Suspect materials enhancement(Z789), 64X zoom in and 3X image magnifier, etc.
Material Classification	3 Colors mode (Default) 6 Colors mode (Optional)
Image Recall	Recall infinitely
Image Storage Capability	100,000 +
▪ Device Parameters	
Power Consumption	Max. 0.6 KW
Power Supply	AC 110V to 230V (-15% to +10%) , 50Hz/60Hz (±3Hz);
Noise Level	60dB(A), 1000 mm away from the device surface
Operating Temperature / Humidity	5 °C to 40 °C / 10 % to 95 % (non-condensing)
Storage Temperature / Humidity	-20 °C to 60 °C / 0 % to 95 % (non-condensing)
Weight	Net: approx. 460 Kg

^[1] Stated performance as measured by HIKVISION Imaging Standard Test Piece.

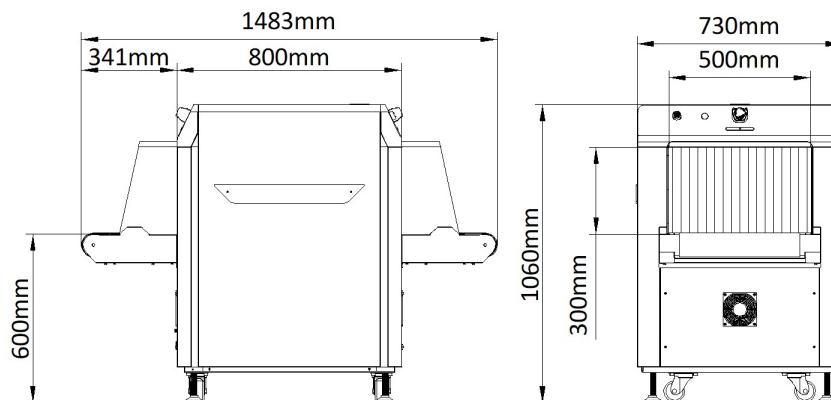
^[2] The X-ray leakage rate reaches the natural environment background level, well comply for USFDA requirements.

▪ **Available Model**

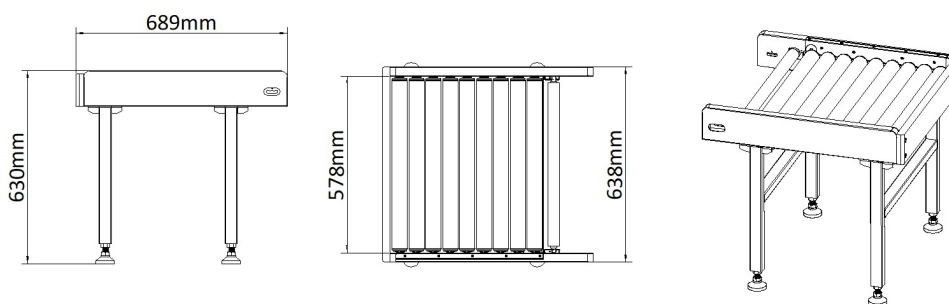
ISD-SC5030S-H2CVL(set)(O-STD)

▪ **Dimension**

- X-ray security inspection system



- Entrance and Exit roller table



▪ **Accessory**

▪ **Optional**

Headquarters

No.555 Qianmo Road, Binjiang District,
Hangzhou 310051, China
T +86-571-8807-5998
www.hikvision.com



Follow us on social media to get the latest product and solution information.

